

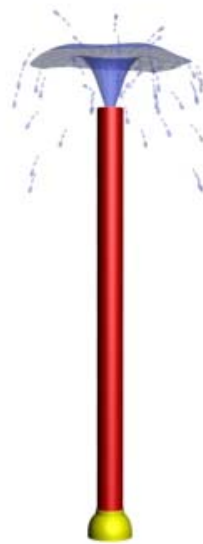


# Water Funnel

www.arc4waterplay.com

Copyright © 2004 Aquatic Recreation Company LLC

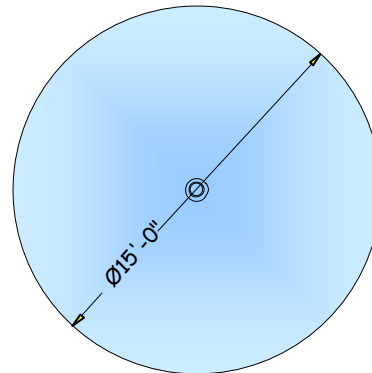
The *Water Funnel* is a structure that emits a morning glory nozzle effect from the top of the tubular structure to users below.



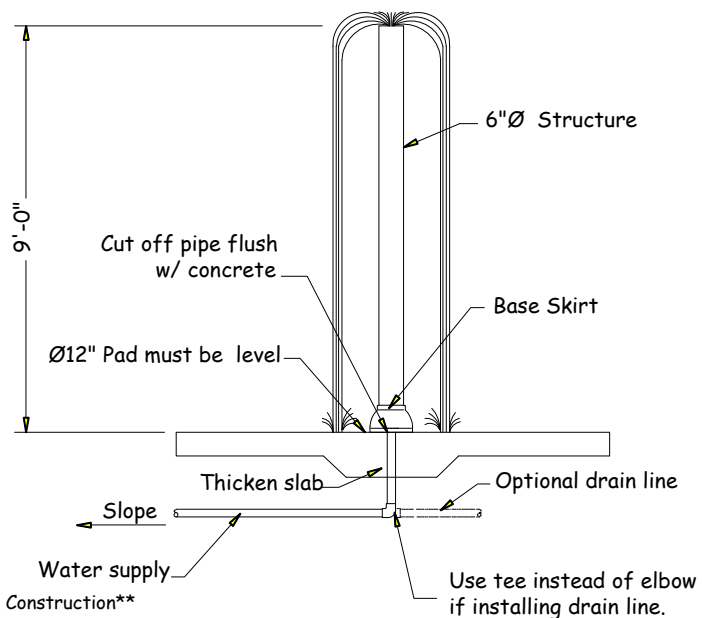
## FEATURE DATA

High Flow:	40 GPM
Low Flow:	25 GPM
Supply Line:	1 1/2" to 2" pipe
Structure:	FRP
Installation:	Flange Mount To Concrete Pad

## TOP VIEW SPLASH ZONE



## CAD DRAWING



Toll Free Phone:  
1-877-632-0503

Local Phone:  
952-445-5135

Fax:  
952-345-6444



**Product Profile**

*The more water...the more fun*

