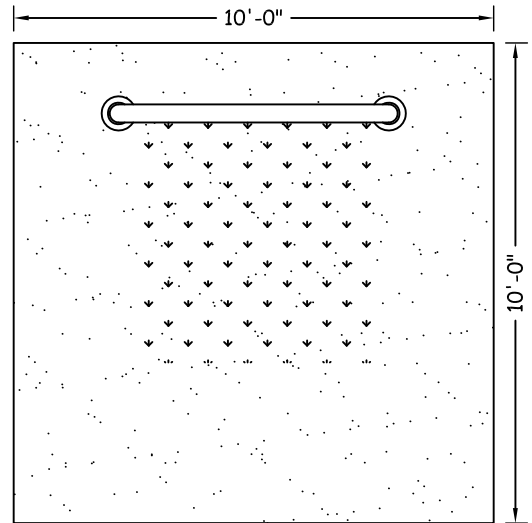


NOTES

1. Valve must be installed on supply line to regulate flow.
2. Shut off valve must be installed on drain line.
3. Ø12" Concrete mounting surfaces for structure installation need to be level & flat.
4. Supply line size to be based on designed flow rate for structure.
5. Underground plumbing to be designed for winterization.
6. Consult local electrical inspector for grounding.
7. Concrete will need to be cured a minimum of 7 days before installing structure.
8. Product specifications are subject to change.

SPLASH ZONE

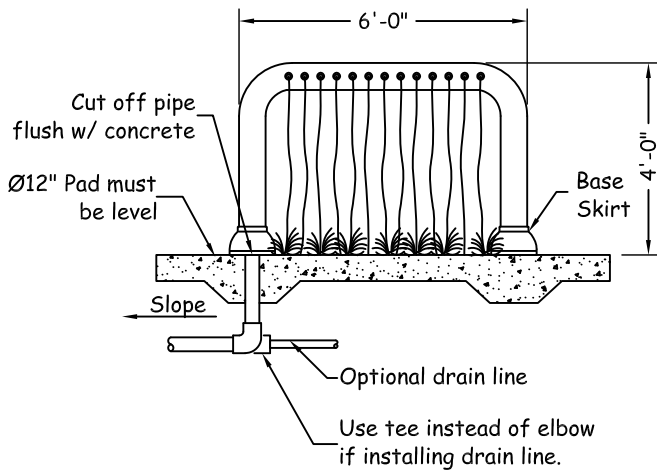


Splash Zone-Not to Scale

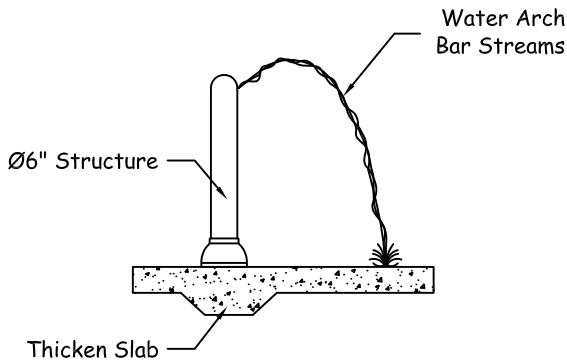
Splash Zone Notes:

Splash zones are approximate, actual splash may vary based on various environmental conditions, flow rates, slope of splash pad and submergence depth.

FRONT VIEW



SIDE VIEW



PRODUCT OPTIONS

Structure:

Fiberglass Fabrication  
(see specification for details)

Flow Rate Design:

- High Flow Option Selected.  
(see specification for details on this option)
- Low Flow Option Selected.  
(see specification for details on this option)

Interactive Flow Control Valve:

- Interactive Flow Control Valve Option Selected.  
(see specification and separate valve drawing for details on this option)

DATA

High Flow: 150 to 200 GPM  
 Low Flow: 75 to 115 GPM  
 Supply Line: 2" to 4" Pipe  
 Installation: Flange Mount to Concrete

\*\*Not for Construction\*\*



Toll Free: #877-632-0503  
 Local Phone: 952-445-5135  
 Fax: 952-345-6444  
 Website: www.arc4waterplay.com

WATER ARCH BAR

CTS  
DRAWN BY

1/4"=1'-0"  
SCALE

1/21/08  
DATE

This drawing is issued in confidence for engineering information only. This drawing shall remain the property of Aquatic Recreation Company LLC and may not be reproduced, disclosed to a third party, or used to manufacture anything without direct written permission from Aquatic Recreation Company LLC. Unauthorized use shall entitle Aquatic Recreation Company LLC to all damages caused by such user including preparation charges, lost profits, damage to reputation and attorney's fees.