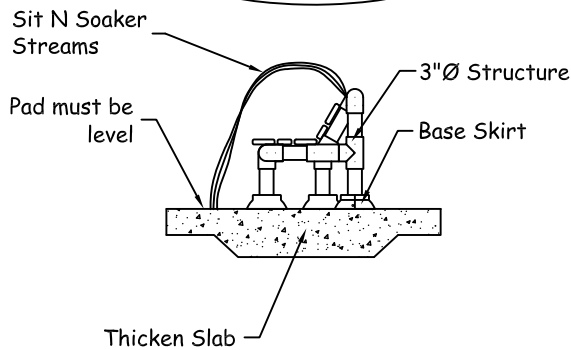


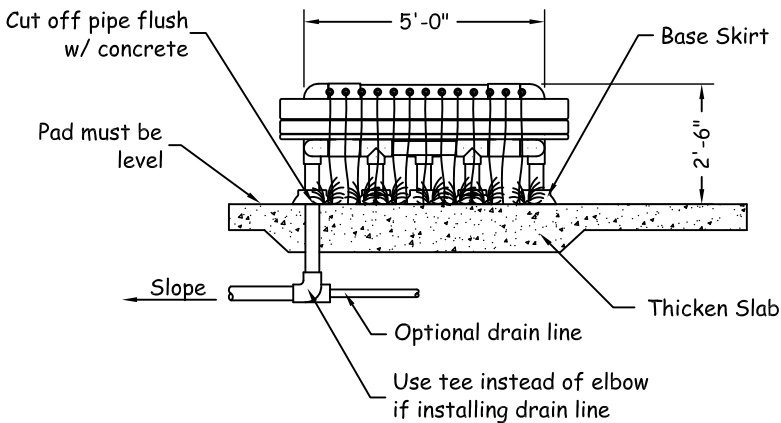
NOTES

1. Valve must be installed on supply line to regulate flow.
2. Shut off valve must be installed on drain line.
3. Concrete mounting surface for structure installation needs to be level & flat.
4. Ø3" Supply line size to be based on designed flow rate for structure.
5. Underground plumbing to be designed for winterization.
6. Consult local electrical inspector for grounding.
7. Concrete will need to be cured a minimum of 7 days before installing structure.
8. Product specifications are subject to change.

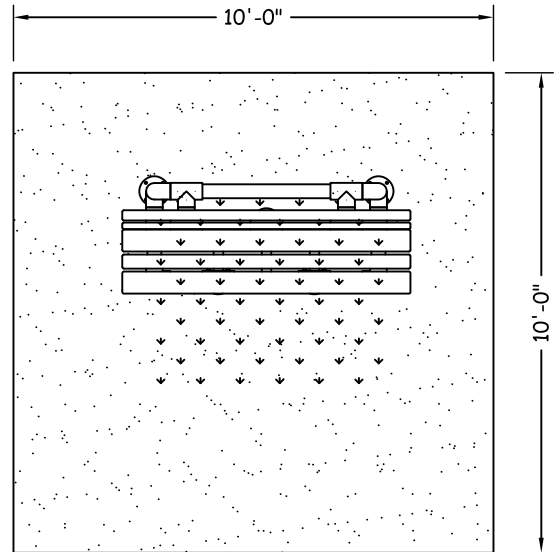
SIDE VIEW



FRONT VIEW



SPLASH ZONE



Splash Zone-Not to Scale

Splash Zone Notes:

Splash zones are approximate, actual splash may vary based on various environmental conditions, flow rates, slope of splash pad and submergence depth.

PRODUCT OPTIONS

Structure:

Structural Plastic Fabrication  
(see specification for details)

DATA

Flow Range: 15 to 30 GPM  
Supply Line: 2" Pipe  
Installation: Flange Mount to Concrete

\*\*Not for Construction\*\*



Toll Free: #877-632-0503  
Local Phone: 952-445-5135  
Fax: 952-345-6444  
Website: www.arc4waterplay.com

SIT N SOAKER

CTS  
DRAWN BY

1/4" = 1'-0"  
SCALE

1/21/08  
DATE

This drawing is issued in confidence for engineering information only. This drawing shall remain the property of Aquatic Recreation Company LLC and may not be reproduced, disclosed to a third party, or used to manufacture anything without direct written permission from Aquatic Recreation Company LLC. Unauthorized use shall entitle Aquatic Recreation Company LLC to all damages caused by such user including preparation charges, lost profits, damage to reputation and attorney's fees.