

NOTES

1. Valve must be installed on supply line to regulate flow.
2. Shut off valve must be installed on drain line.
3. Ø12" Concrete mounting surface for structure installation needs to be level & flat.
4. Supply line size to be based on designed flow rate for structure.
5. Underground plumbing to be designed for winterization.
6. Consult local electrical inspector for grounding.
7. Concrete will need to be cured a minimum of 7 days before installing structure.
8. Product specifications are subject to change.

PRODUCT OPTIONS

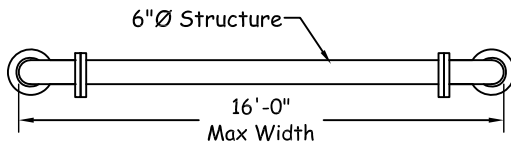
Structure:

Fiberglass Fabrication
(see specification for details)

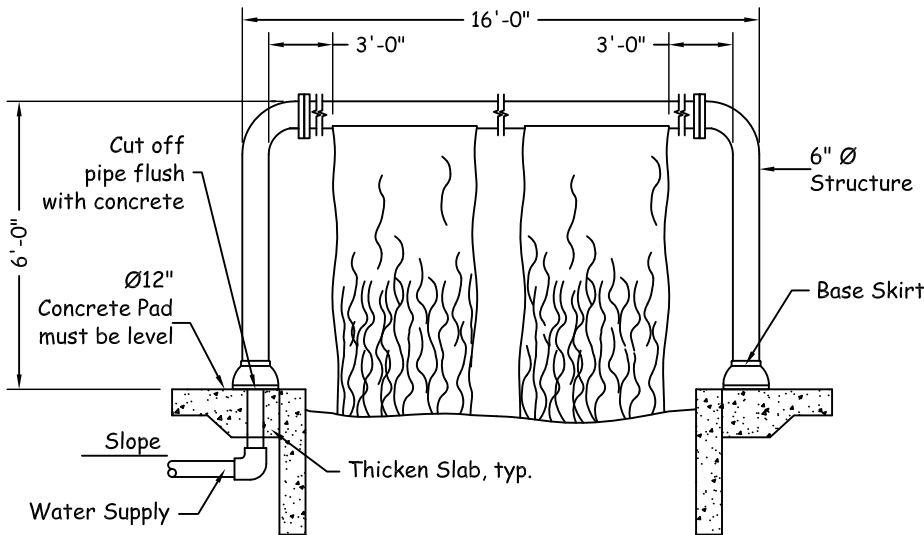
Flow Rate Design:

- High Flow Option Selected.
(see specification for details on this option)
- Low Flow Option Selected.
(see specification for details on this option)

TOP VIEW



FRONT VIEW



DATA

High Flow: 300 to 400 GPM
 Low Flow: 150 to 200 GPM
 Supply Line: 3" to 4" Pipe
 Installation: Flange Mount to Concrete

****Not for Construction****



Toll Free: #877-632-0503
 Local Phone: 952-445-5135
 Fax: 952-345-6444
 Website: www.arc4waterplay.com

**LAZY RIVER
WATER SHEET**

CTS
DRAWN BY

1/4" = 1'-0"
SCALE

1/21/08
DATE

This drawing is issued in confidence for engineering information only. This drawing shall remain the property of Aquatic Recreation Company LLC and may not be reproduced, disclosed to a third party, or used to manufacture anything without direct written permission from Aquatic Recreation Company LLC. Unauthorized use shall entitle Aquatic Recreation Company LLC to all damages caused by such user including preparation charges, lost profits, damage to reputation and attorney's fees.