

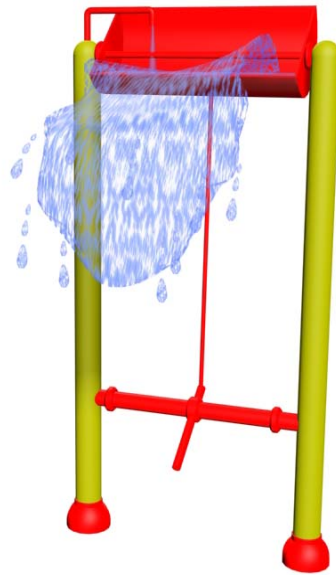


Water Dump

www.arc4waterplay.com

Copyright © 2004 Aquatic Recreation Company LLC

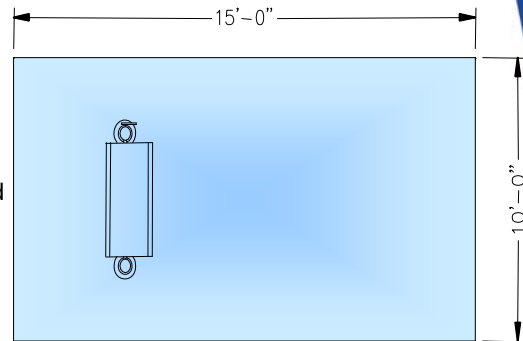
The *Water Dump* is a structure that fills a large overhead trough with water. Water is slowly poured out of trough by users pulling down on dumping handle. The water dumping mechanism and water effect for this feature is designed for safe use.



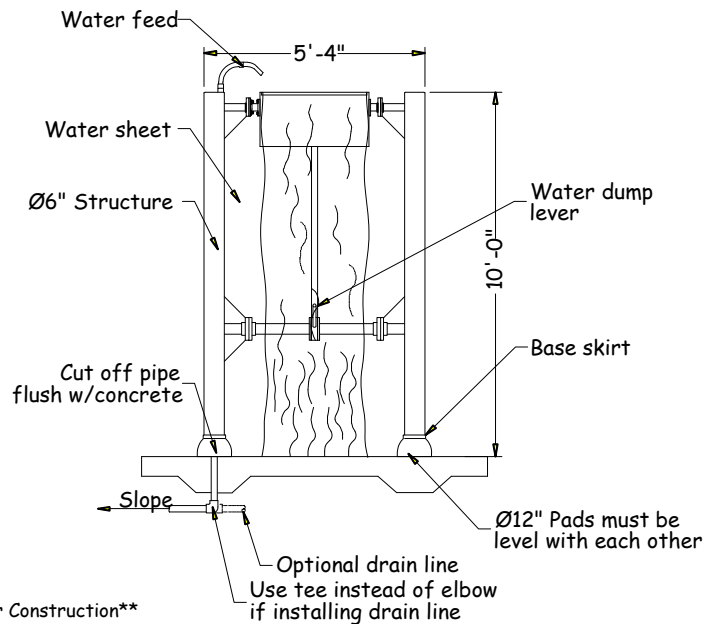
TOP VIEW
SPLASH ZONE

FEATURE DATA

Flow Range: 15 to 25 GPM
Supply Line: 1 1/2" pipe
Structure: FRP
Installation: Flange Mount
To Concrete Pad



CAD DRAWING



Not for Construction

Toll Free Phone:
1-877-632-0503

Local Phone:
952-445-5135

Fax:
952-345-6444



Product Profile

The more water...the more fun

