

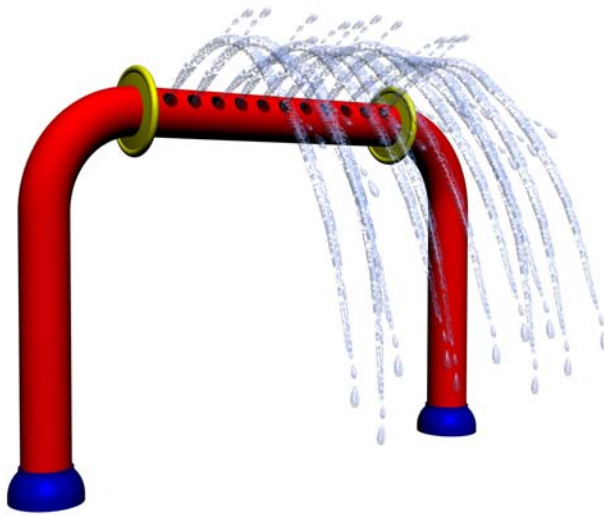


Rotating Water Arch Bar

www.arc4waterplay.com

Copyright © 2004 Aquatic Recreation Company LLC

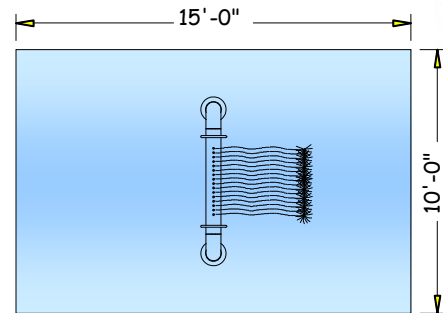
The *Rotating Water Arch Bar* is a structure that emits multiple streams of water from a low horizontal cross bar. Users can rotate cross bar 360 degrees to create unique water patterns.



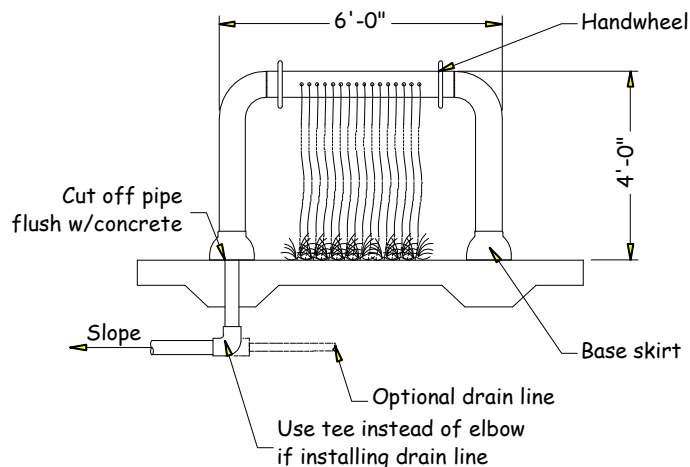
FEATURE DATA

High Flow:	90 to 170GPM
Low Flow:	65 to 85 GPM
Supply Line:	2" to 3" pipe
Structure:	FRP
Installation:	Flange Mount To Concrete Pad

TOP VIEW SPLASH ZONE



CAD DRAWING



Not for Construction

Toll Free Phone:
1-877-632-0503

Local Phone:
952-445-5135

Fax:
952-345-6444



Product Profile

The more water...the more fun

