



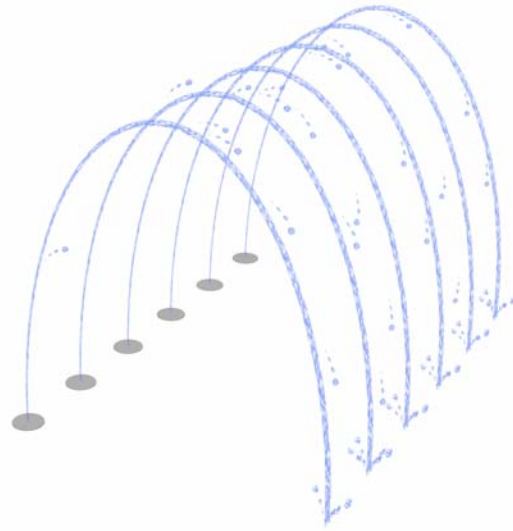
The **Arch Jet Manifold** is a ground spray element that emits 6 clear arching streams of water creating a tunnel formation. The feature flow rates can be adjusted to increase or decrease the spray height and projection. The Arch Jet Manifold is designed for wet deck applications with no standing water.

Toll Free Phone:
1-877-632-0503

Local Phone:
952-445-5135

Fax:
952-345-6444

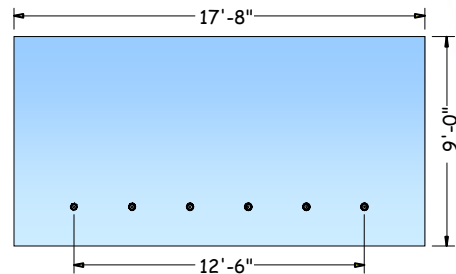
Mail to:
5852 Baker Road
Minnetonka, MN
55345



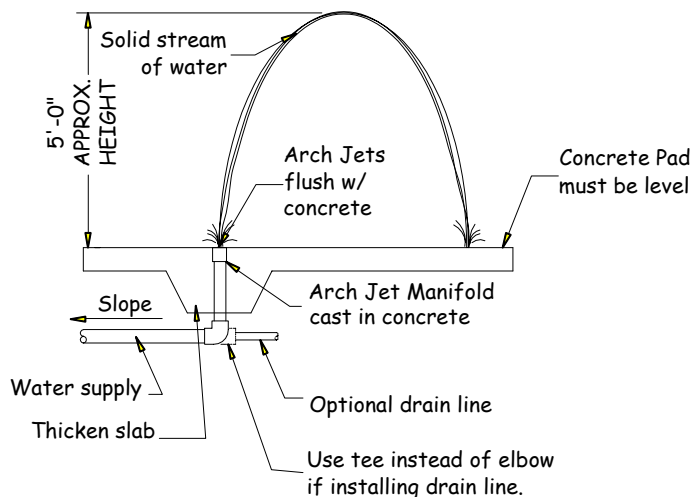
FEATURE DATA

High Flow: 60 GPM
 Low Flow: 30 GPM
 Supply Line: 1 1/2" to 2" pipe
 Structure: PVC Plastic
 Installation: Cast into Concrete

TOP VIEW SPLASH ZONE



CAD DRAWING



Product Profile

The more water...the more fun