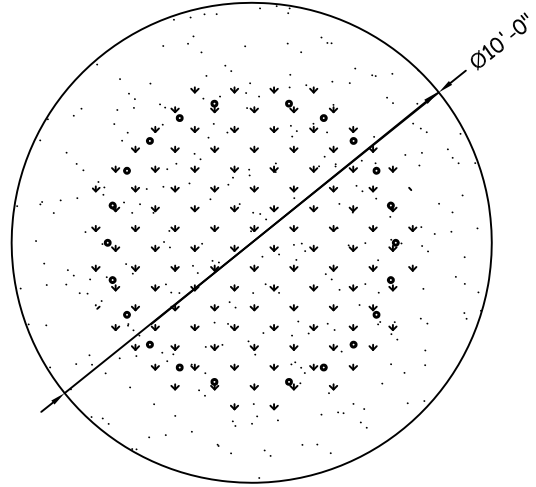


NOTES

1. Valve must be installed on supply line to regulate flow.
2. Shut off valve must be installed on drain line.
3. Ground spray is designed to be encapsulated in concrete pad.
4. Supply line size to be based on designed flow rate for structure.
5. Underground plumbing to be designed for winterization.
6. Consult local electrical inspector for grounding.
7. Product specifications are subject to change.

SPLASH ZONE

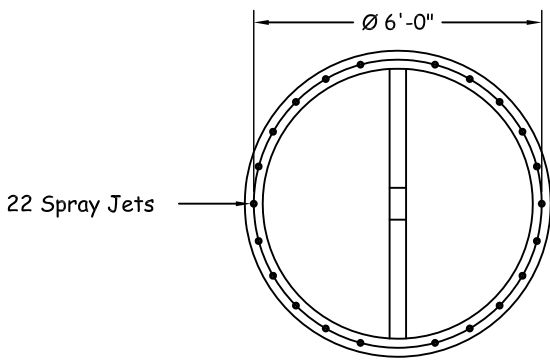


Splash Zone- Not to Scale

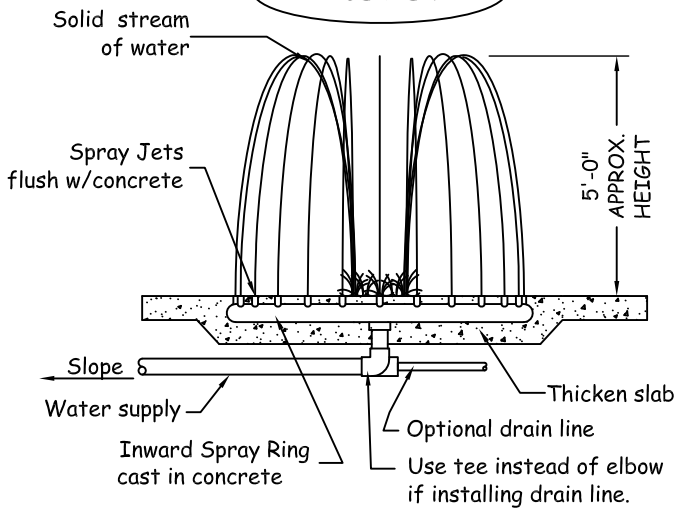
Splash Zone Notes:

Splash zones are approximate, actual splash may vary based on various environmental conditions, flow rates, slope of splash pad and submergence depth.

TOP VIEW



SIDE VIEW



PRODUCT OPTIONS

Flow Rate Design:

- High Flow Option Selected.
(see specification for details on this option)
- Low Flow Option Selected.
(see specification for details on this option)

DATA

High Flow: 200 GPM
 Low Flow: 100 GPM
 Supply Line: 2 1/2" to 4" Pipe
 Installation: Cast in Concrete

Not for Construction



Toll Free: #877-632-0503
 Local Phone: 952-445-5135
 Fax: 952-345-6444
 Website: www.arc4waterplay.com

INWARD
 SPRAY RING

DRE
 DRAWN BY

1/4" = 1'-0"
 SCALE

1/25/08
 DATE

This drawing is issued in confidence for engineering information only. This drawing shall remain the property of Aquatic Recreation Company LLC and may not be reproduced, disclosed to a third party, or used to manufacture anything without direct written permission from Aquatic Recreation Company LLC. Unauthorized use shall entitle Aquatic Recreation Company LLC to all damages caused by such use including preparation charges, lost profits, damage to reputation and attorney's fees.